



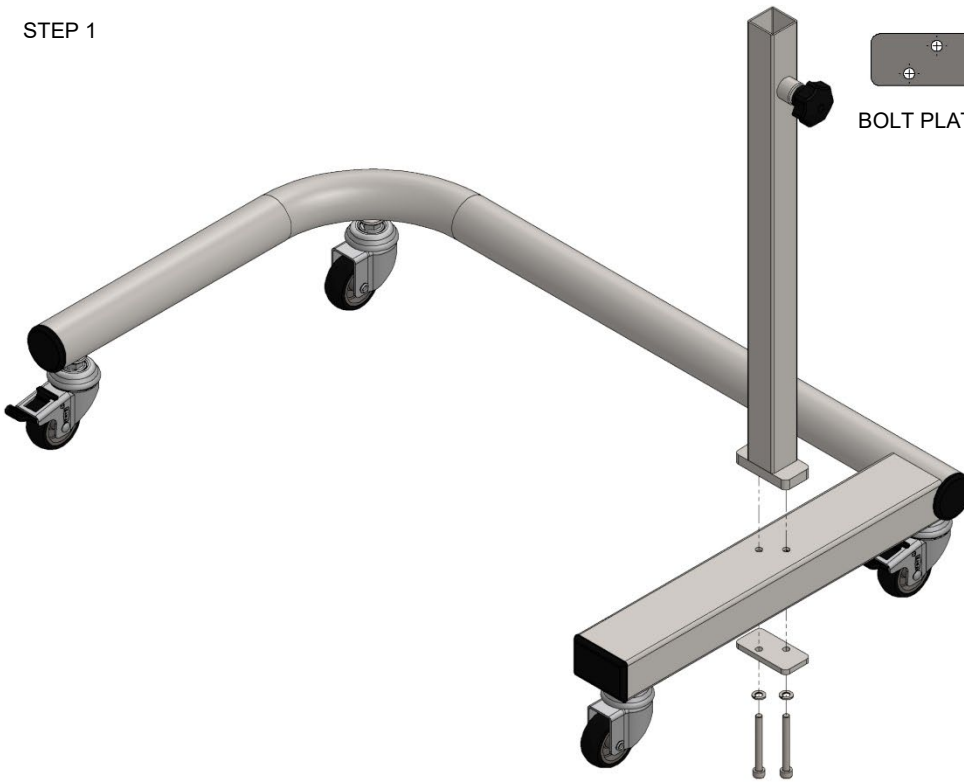
SETUP

K058-PTS

Part no: 40540730000037



STEP 1



BOLT PLATE



ALLEN KEY



ALLEN BOLT
M6X55

0 0 (C) – M6

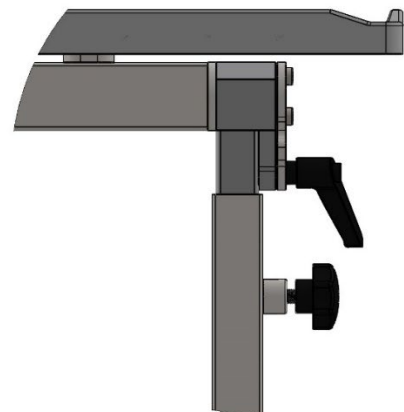
Pay attention to the direction of hand grip
Do not try to pull out the puller-mounted fixture,
its preassembled

The middle fixed body is positioned so that
it fits into the holes on the subframe
(handle grip as in the picture) and the bolt
plate is placed on the lower part and the
bolts are fixed with the help of an Allen key.

2 Spring washers (C – M6) will be attached
to each bolt as shown in the Picture.



1. The upper table is moved to the middle fixed as in the picture.
2. Part number two rests on the part to meet bolt holes.
3. The table is fixed by tightening the bolts with the help of an Allen key.
4. The tilt mechanism switch is tightened as in the detail A picture.
5. The upper body profile is placed inside the lower body profile. (Note that the fixing grip is open)
6. Finally, after adjusting the height of the table, it is fixed with the help of the handle (by turning it clockwise).



DETAIL A
SCALE 1 : 2

HUMAN CARE SWEDEN (HQ)

Årstaängsvägen 21B

117 43 Stockholm

Phone:- +46 8 665 35 00

Fax:- +46 8 665 35 10

E-post: info.se@humancaregroup.com

www.humancare.se

HUMAN CARE CANADA

10-155 Colonnade Road

Ottawa, ON K2E 7K1

Phone: +1 613 723 6734

Fax: +1 613 723 1058

Email: info.ca@humancaregroup.com

www.humancaregroup.com

HUMAN CARE UNITED STATES

8006 Cameron Street, Suite K

Austin, TX 78754

Phone: +1 512 476 7199

Fax: +1 512 476 7190

Email: info.us@humancaregroup.com

www.humancaregroup.com

HUMAN CARE NETHERLANDS

Elspeterweg 124

8076 PA Vierhouten

Phone: +31 577-412171

Fax: +31 577-412170

Email: info.nl@humancaregroup.com

www.humancaregroup.com

KENMAK TURKEY

Sarıç Yolu No:23 Gaziemir / İzmir

Phone: +31 577-412171

Fax: +31 577-412170

Email: kenmak@kenmak.com.tr

www.kenmak.com.tr

Kenmak[®]

part of the Human Care Group



HUMAN CARE

Your Life. Your Way.

CE



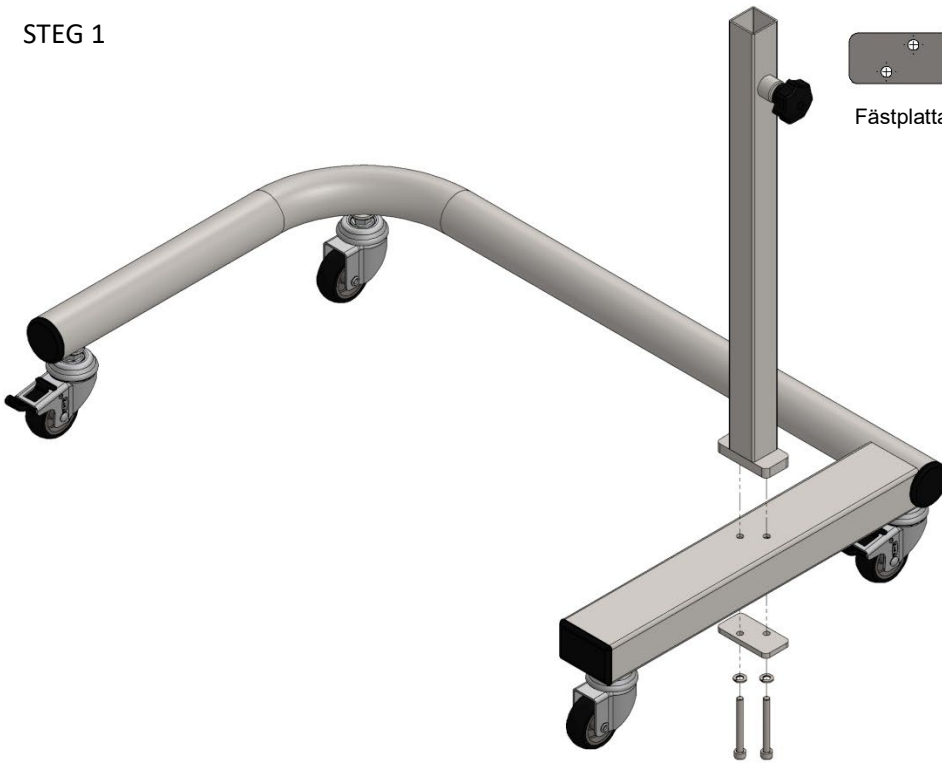
UPPSTART

K058-PTS

Artikelnr: 40540730000037



STEG 1



Fästplatta



INSEX
NYCKEL



BULT M6X55

0 0 (C) – M6

Var uppmärksam på handgreppets riktning

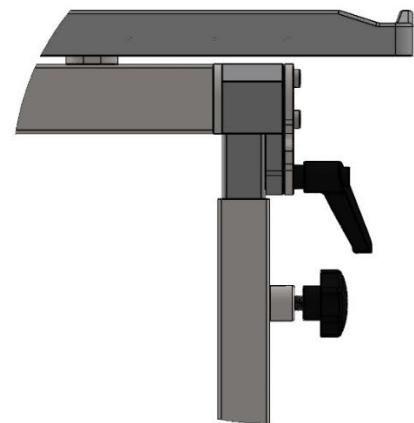
Försök inte att dra ut det förmonterade låsvredet då det kan skada funktionaliteten

Den mittersta fasta profilen placeras så att den passar i hålen på bottenramen (vredplacering som på bilden) och bultplattan placeras på underdelen och bultarna fixeras med hjälp av en insexnyckel.

2 fjäderbrickor (C – M6) fästs på varje bult enligt bilden.



1. Det övre bordet flyttas till mitten plant som på bilden
2. Del nummer två vilar på yttersidan av kromprofilen för att möta bulthålen.
3. Bordet fixeras genom att dra åt bultarna med hjälp av en insexnyckel.
4. Tiltmekanismens omkopplare dras åt enligt bild A
5. Den övre kromprofilen placeras innanför underkroppprofilen. (Observera att låsvred är öppet)
6. Slutligen, efter att ha justerat bordets höjd, fixeras det med hjälp av låsvred (genom att vrida det medurs).



DETAIL A
SCALE 1 : 2

HUMAN CARE SWEDEN (HQ)

Årstaängsvägen 21B

117 43 Stockholm

Phone:- +46 8 665 35 00

Fax:- +46 8 665 35 10

E-post: info.se@humancaregroup.com

www.humancare.se

HUMAN CARE CANADA

10-155 Colonnade Road

Ottawa, ON K2E 7K1

Phone: +1 613 723 6734

Fax: +1 613 723 1058

Email: info.ca@humancaregroup.com

www.humancaregroup.com

HUMAN CARE UNITED STATES

8006 Cameron Street, Suite K

Austin, TX 78754

Phone: +1 512 476 7199

Fax: +1 512 476 7190

Email: info.us@humancaregroup.com

www.humancaregroup.com

HUMAN CARE NETHERLANDS

Elspeterweg 124

8076 PA Vierhouten

Phone: +31 577-412171

Fax: +31 577-412170

Email: info.nl@humancaregroup.com

www.humancaregroup.com

KENMAK TURKEY

Sarıç Yolu No:23 Gaziemir / İzmir

Phone: +31 577-412171

Fax: +31 577-412170

Email: kenmak@kenmak.com.tr

www.kenmak.com.tr

Kenmak[®]

part of the Human Care Group



HUMAN CARE
Your Life. Your Way.

CE

Kenmak[®]

part of the Human Care Group



ALOITTAA

K058-PTS

Tuotenumero: 40540730000037



HUMAN CARE SWEDEN (HQ)

Årstaängsvägen 21B

117 43 Stockholm

Phone:- +46 8 665 35 00

Fax:- +46 8 665 35 10

E-post: info.se@humancaregroup.com

www.humancare.se

HUMAN CARE CANADA

10-155 Colonnade Road

Ottawa, ON K2E 7K1

Phone: +1 613 723 6734

Fax: +1 613 723 1058

Email: info.ca@humancaregroup.com

www.humancaregroup.com

HUMAN CARE UNITED STATES

8006 Cameron Street, Suite K

Austin, TX 78754

Phone: +1 512 476 7199

Fax: +1 512 476 7190

Email: info.us@humancaregroup.com

www.humancaregroup.com

HUMAN CARE NETHERLANDS

Elspeterweg 124

8076 PA Vierhouten

Phone: +31 577-412171

Fax: +31 577-412170

Email: info.nl@humancaregroup.com

www.humancaregroup.com

KENMAK TURKEY

Sarıç Yolu No:23 Gaziemir / İzmir

Phone: +31 577-412171

Fax: +31 577-412170

Email: kenmak@kenmak.com.tr

www.kenmak.com.tr

Kenmak[®]
part of the Human Care Group

